

FSMMD

Motorized, Rotating Operator Armchair System

Construction:

The **FSMMD/FSMMDER** is an extremely versatile, ultra rugged, motorized seating system that integrates seat and controls. This system is a must for applications that require an extensive range of adjustments for the operator. The motorized adjustments are so extensive that with the press of a button the consoles can easily be moved to a position that allows the operator to work while sitting or standing (FSMMDER model). Flexible console sizes allow the use of many of the J.R. Merritt controllers along with numerous 30.5mm pilot devices. The versatile design and 270° turning radius allow the system to fit in many applications. This seating system is the product of choice in applications that require the accommodation of a wide range of operator sizes in an extremely demanding work environment.

Application:

Commonly used on cab operated cranes, process line pulpits, control rooms, mining shovels.

Features:

- Full body contoured Grammer Actimo Seat
- Ultra tough nylon velour upholstery
- Adjustable backrest, fore and aft
- Mechanically adjustable lumbar support
- Seat cushion tilt and fore/aft adjustments
- Document pouch
- Dual acting independent seat and console slide system
- Mechanical 3-step suspension: Full hydraulic and spring dampened system with "Dial in" weight compensation and incremental height adjustment
- Fixed console mounted arm pads
- Motorized, hinged, adjustable consoles for fore/aft, tilt, and up/down movement
- Ball bearing rotating base up to 270°
- Heavy duty steel construction with a powder coat finish

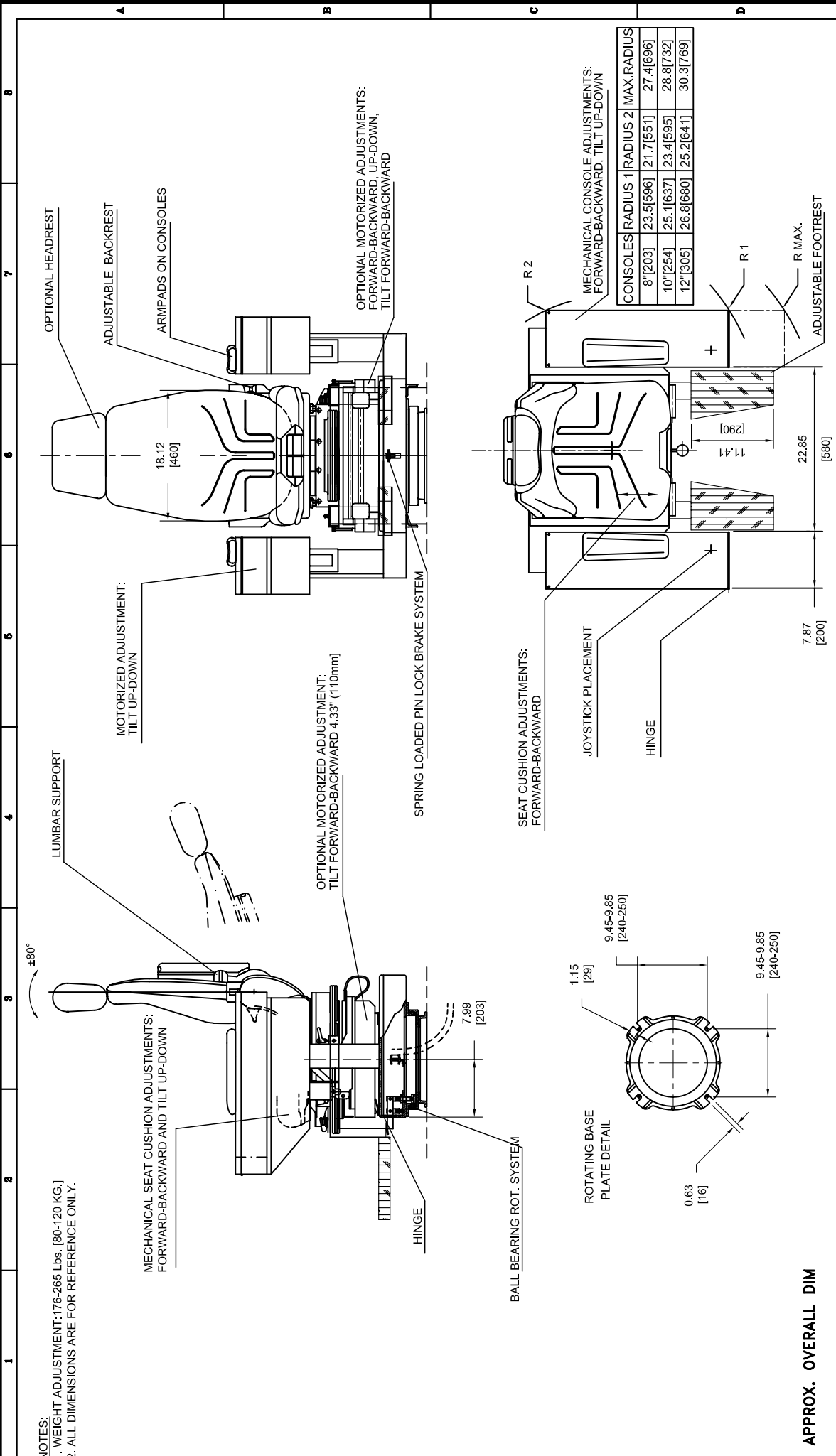
Options:

- Vinyl upholstery
- Adjustable headrest
- Dual seat slide for extended movement up to 16"
- Mechanical 4-step suspension – 309 lb [140 kg] – 3.2" [80 mm] of height adjustment in 4 increments, seat height lift assist system
- Pneumatic suspension
- Motorized seat adjustments
- Footrest
- Wiring and other custom options and accessories available upon request
- Increased up/down and forward/back console adjustments for operating while sitting or standing (FSMMDER model)

For detailed information about the seat's benefits, features, and options see Actimo literature.



Model FSMMD shown with optional VNSO controllers, 30.5mm control devices and adjustable headrest.



CONSOLES	RADIUS 1	RADIUS 2	MAX RADIUS
8" [203]	23.5 [696]	21.7 [551]	27.4 [696]
10" [254]	25.1 [637]	23.4 [595]	28.8 [732]
12" [305]	26.8 [680]	25.2 [641]	30.3 [769]

NOTES:
 1. WEIGHT ADJUSTMENT: 176-265 Lbs. [80-120 KG.]
 2. ALL DIMENSIONS ARE FOR REFERENCE ONLY.

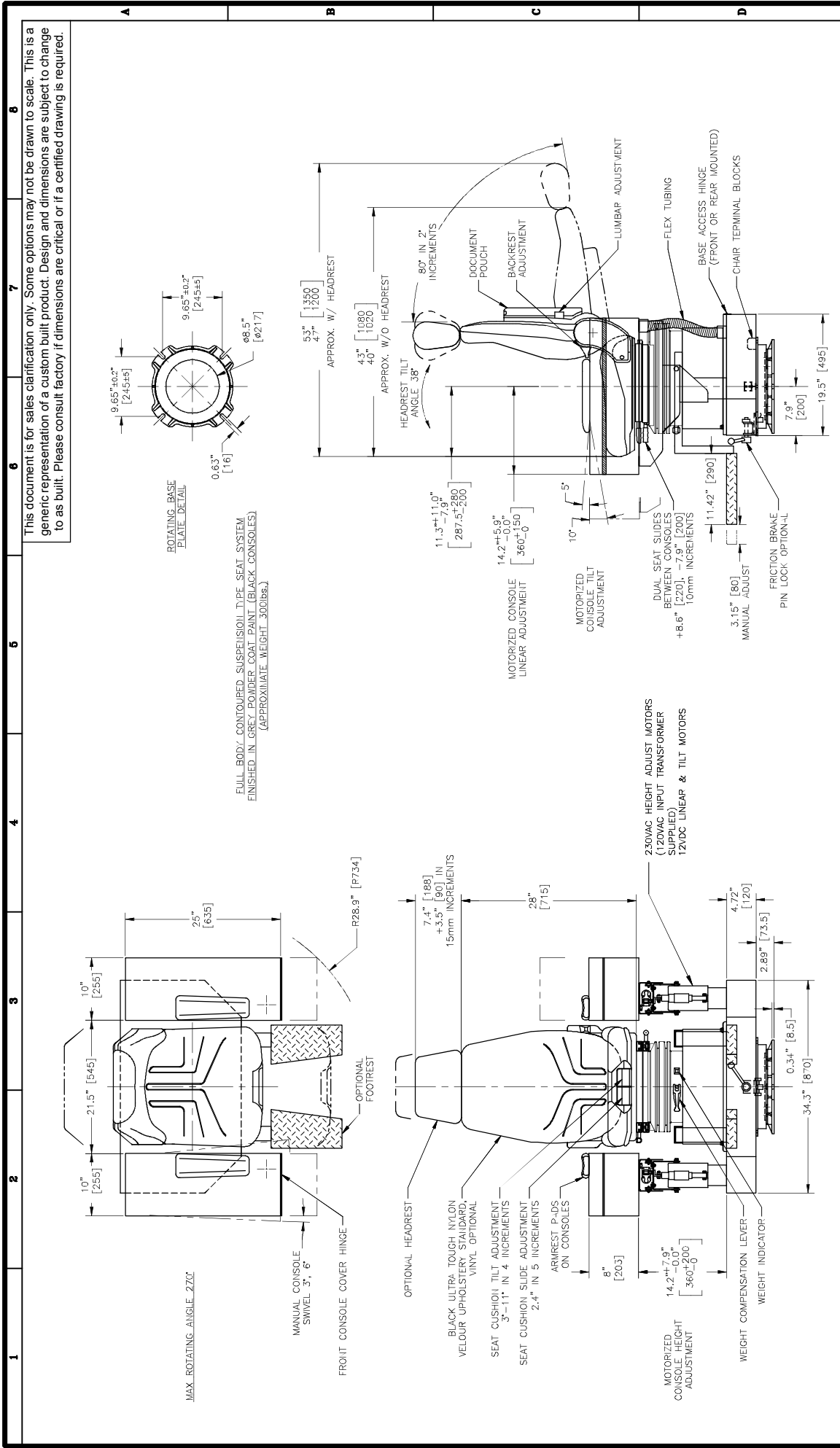
APPROX. OVERALL DIM

REV	DATE	BY	CHK	APPR	REV	DATE	BY	CHK	DESCRIPTION

SCALE: 1/4" = 1"	CUSTOMER: NTS	DATE: 10/25/06	JOB #: PUB.#44.C2_307
DRAWN: ND	CHECKED: DATE:	APPROVED: DATE:	DRAWING #: B61.101.6846
DESCRIPTION: OPERATING CONSOLE FSMMD			
SHEET # OF 1			

J.R. MERRITT
CONTROLS, INC.
 STRATFORD, CT 06815
 THIS DRAWING AND INFORMATION HEREON ARE THE PROPERTY OF J.R. MERRITT CONTROLS, INC. NO REPRODUCTION OR TRANSMISSION OF ANY PART OF THIS DOCUMENT IS TO BE MADE WITHOUT THE WRITTEN PERMISSION OF J.R. MERRITT CONTROLS, INC.

This document is for sales clarification only. Some options may not be drawn to scale. This is a generic representation of a custom built product. Design and dimensions are subject to change to as built. Please consult factory if dimensions are critical or if a certified drawing is required.



REV	DATE	BY	ECR	DESCRIPTION	APPR	REV	DATE	BY	ECR	DESCRIPTION	
01	01/17/13	KY	21.980	UPDATED FOOTREST, ADJUSTMENT DIMS	DB						
<p>J.R. MERRITT STRATFORD, CT 06615 THE MERRITT GROUP, INC. 100 MERRITT DRIVE MERRITTVILLE, PA 15468 PHONE: 724.438.1100 FAX: 724.438.1101 WWW.MERRITTGROUP.COM</p>											
SCALE	1:1.4	CUSTOMER	J.R. MERRITT CONTROLS, INC.	DATE	11/17/10	DATE	01/21/13	DESCRIPTION	F5MMD APPROX DIMENSIONS	DRAWING #	B61.101.7732
DRAWN	KY	CHECKED	DB	DATE	11/17/10	DATE	01/21/13	APPROVED DATE		SHEET	1 OF 1
JOB		REFERENCE									

7732

